



Pvc Fast Opening Doors



PVC FAST OPENING DOORS " VELOKOP "
Mod. KVI (FOLDING) / KVA (ROLLING)

Technical data

Metallic structure in self bearing galvanized steel, with 2 "U" bent vertical posts, top horizontal bar with shaft and gears inside.

Movement is by means of rolling shaft, and connected with motoreducer.

HP 1 engine, self-breaking, isolated in class F; reducer 140 rpm.

All the side metallic structure is protected by nylon brushes, to avoid any scratch on fabric when running.

Galvanized steel bar are horizontally inserted in PVC canvas approx. each 400mm. (mod. KVI) - on the lower level (mod. KVA)

Class 2 self-extinguishing double coated PVC canvas, weight 750 gr/sqm.

Colours at disposal: yellow, green, white, grey and cream.

Using temperatures: from -30° C till +70° C.

Control panel according CE safety standards, with IP 54 degree of protection.

Opening and closing speed: approx. 1 m/sec.

Electric current: 380 Volts / 220 Volts triphase, 50 - 60Hz , 24 DC on commands

Standard supply: N°. 1 security photo cells couple (UNI 8612) – n °. 1 row of window/s h 300, width and quantity in function of requested door width(depending on general dimensions of door), height mm 300 x width depending on general dimensions.
1 control panel with open/close/stop functions – n°. 1 yellow aerial blinking light. Aerial device for manual opening in case of current failure.

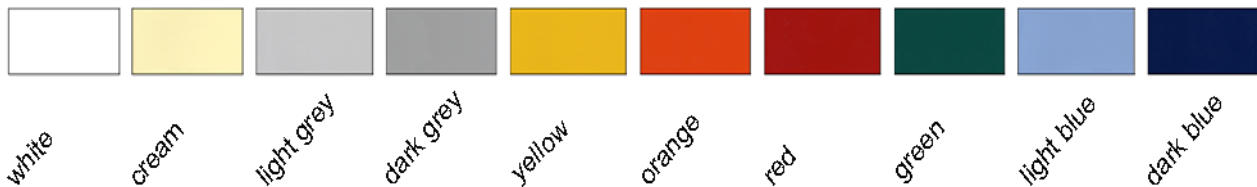
PVC FAST OPENING FOLDING /ROLLING
DOORS " VELOKOP " KVI/KVA

Main optionals:

- Additional control box with operating buttons
- Opening photocells
- Supports for photocells (aluminium posts)
- Radar
- Receiver for remote controls
- Two channels remote control
- Four channels remote control
- Amplifier for induction loops
- Induction loops
- Pull cord switch
- Key switch
- Antenna
- Frame in stainless steel
- Colours assy

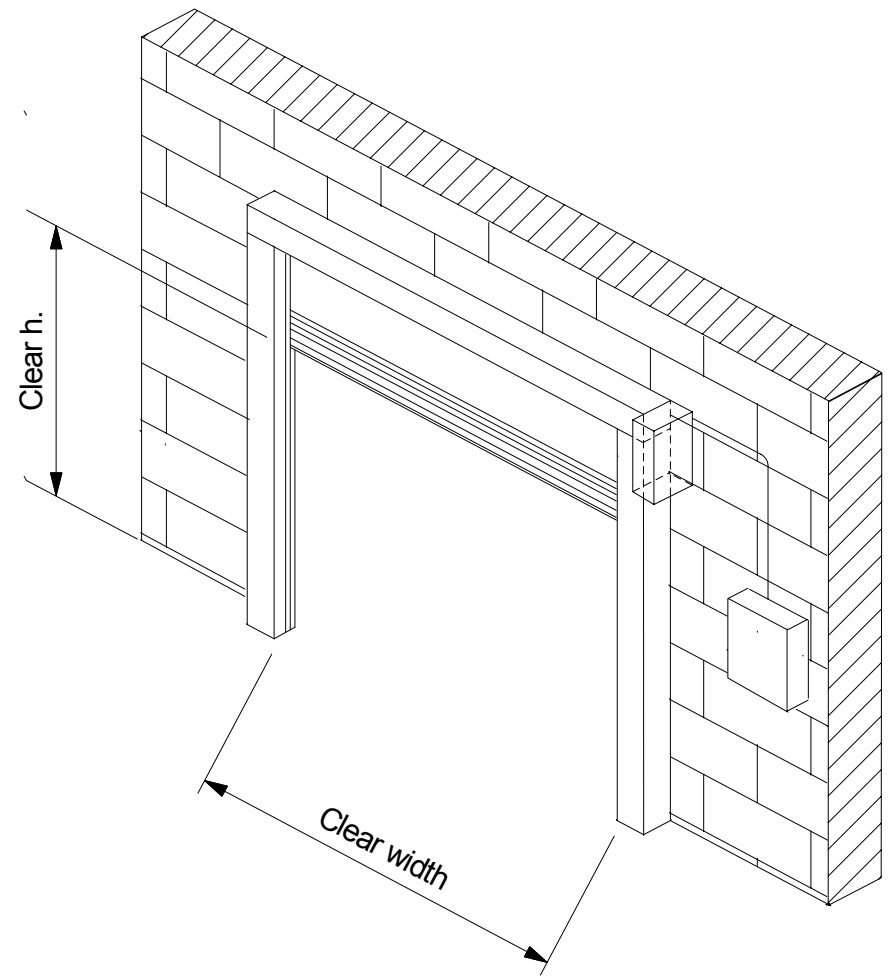
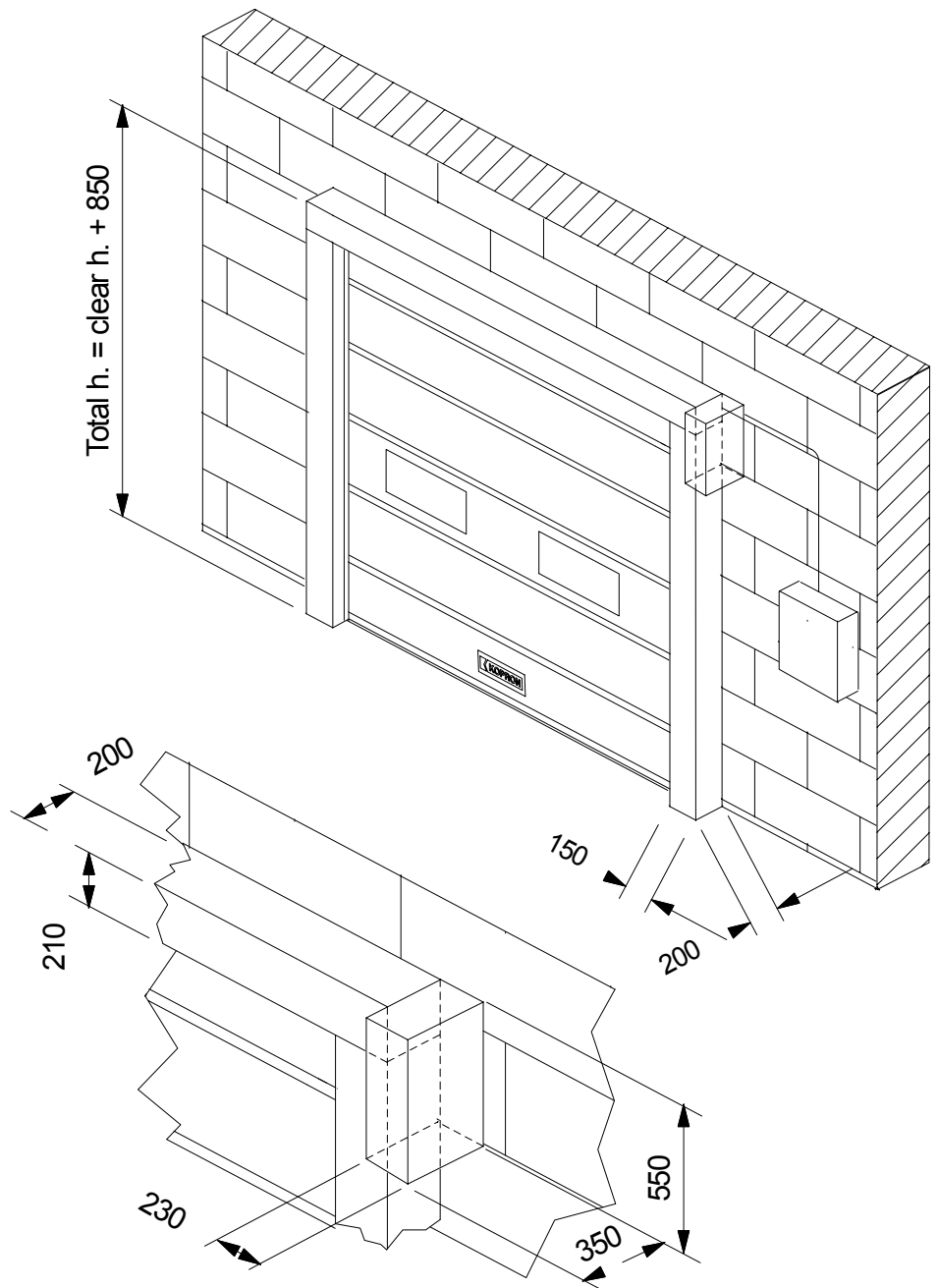
PVC FABRIC - Technical Data	
Product	B.C.
Base fabric (DIN 60001)	100% PES
Yarn (DIN 53830)	1100 dtex
Weave (DIN 61101)	cloth 1/1
Type of coating	PVC
Total weight - raw fabric (DIN 53352)	750 gr./sq.mt
Tensile strenght (DIN 53354) - Warp/weft	3000/2800 N/50 mm.
Tear strenght (DIN 53363) - Warp/weft	300/300
Adhesion (Complan norms)	20 N/cm.
Cold resistance (DIN 53361)	- 25°C
Heat resistance	+ 70°C
Dimensional stability, shrinkage and elongation after influence of heat (Complan norms) (24h. at 70°C)	< 1
Light - fastness (DIIN 54004)	>6
Flame retardancy	FR Cl. II
Finish	fungicide treatment

Available colours for pvc shutter:



KVI doors - Portes KVI

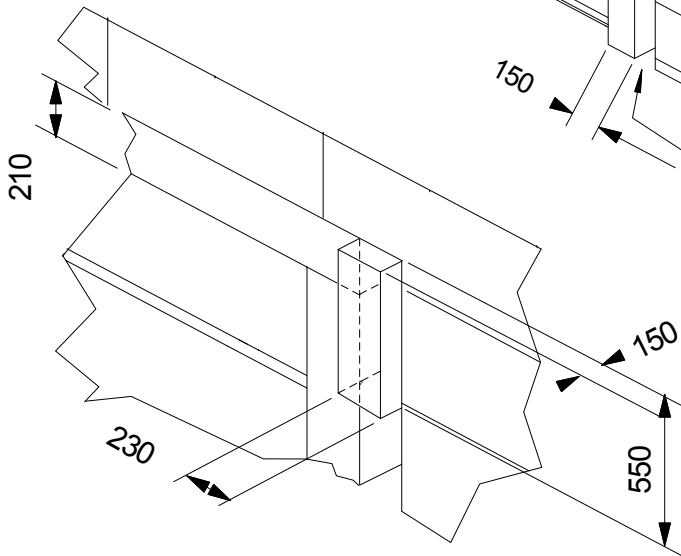
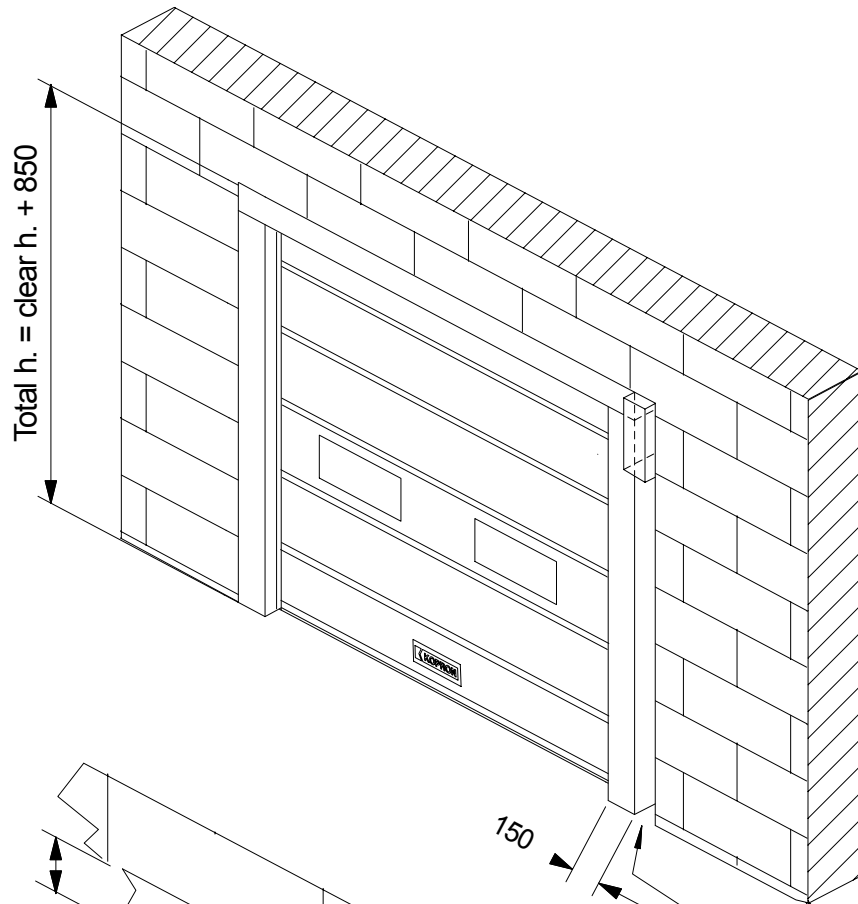




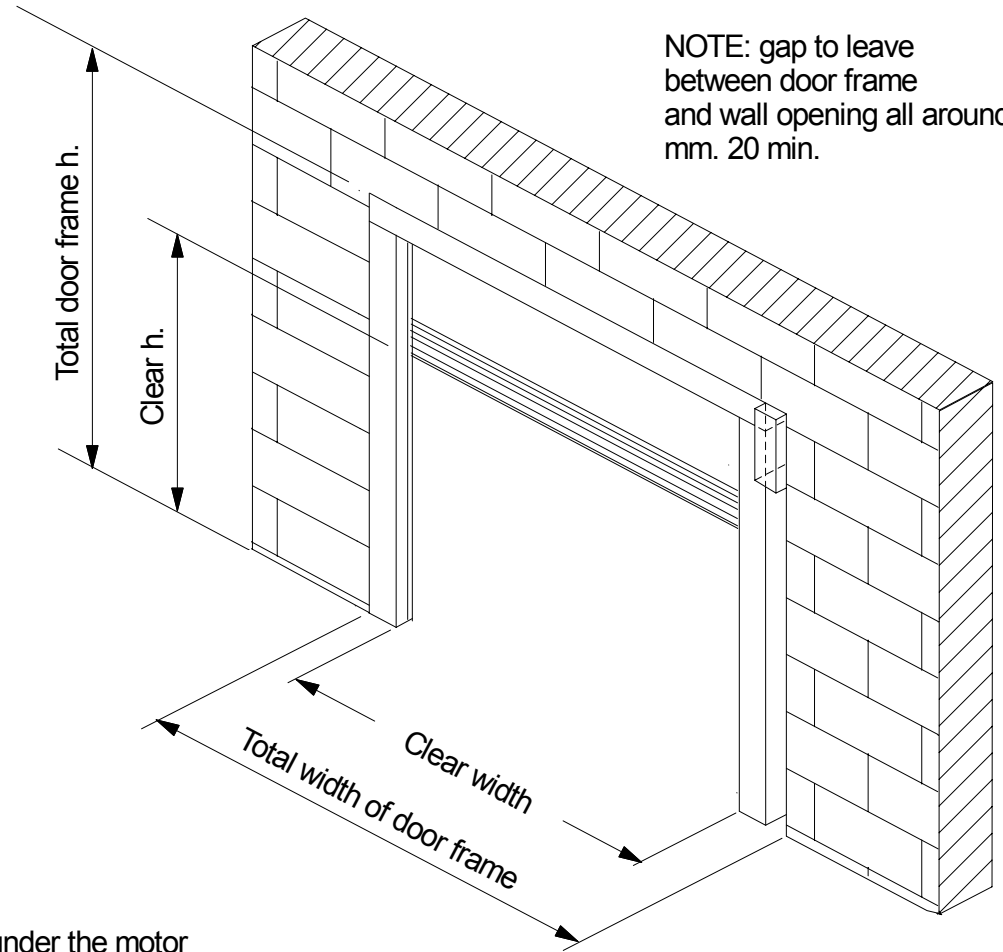
Installation out of wall opening



PVC Folding Door -
Mod. KVI - Velokop



Area under the motor closed by steel galvanized plate



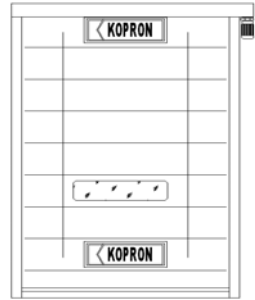
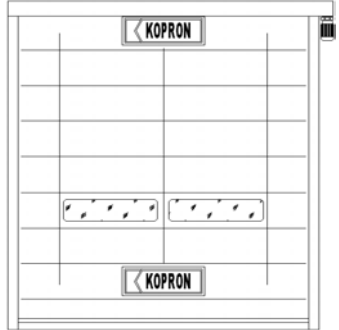
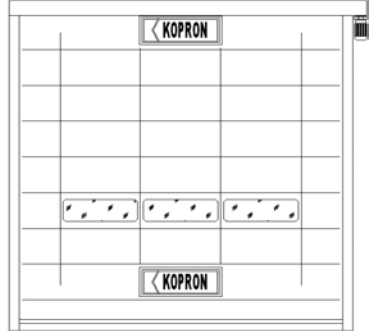
NOTE: gap to leave between door frame and wall opening all around: mm. 20 min.

Installation into wall opening

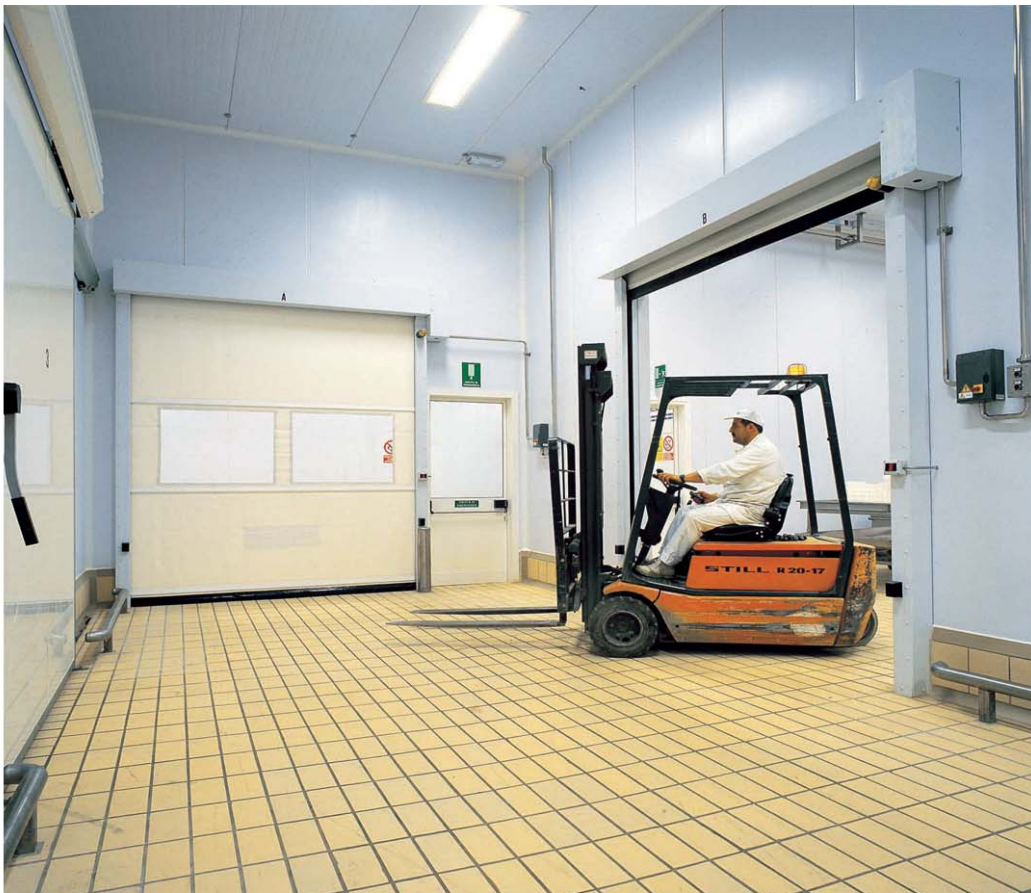


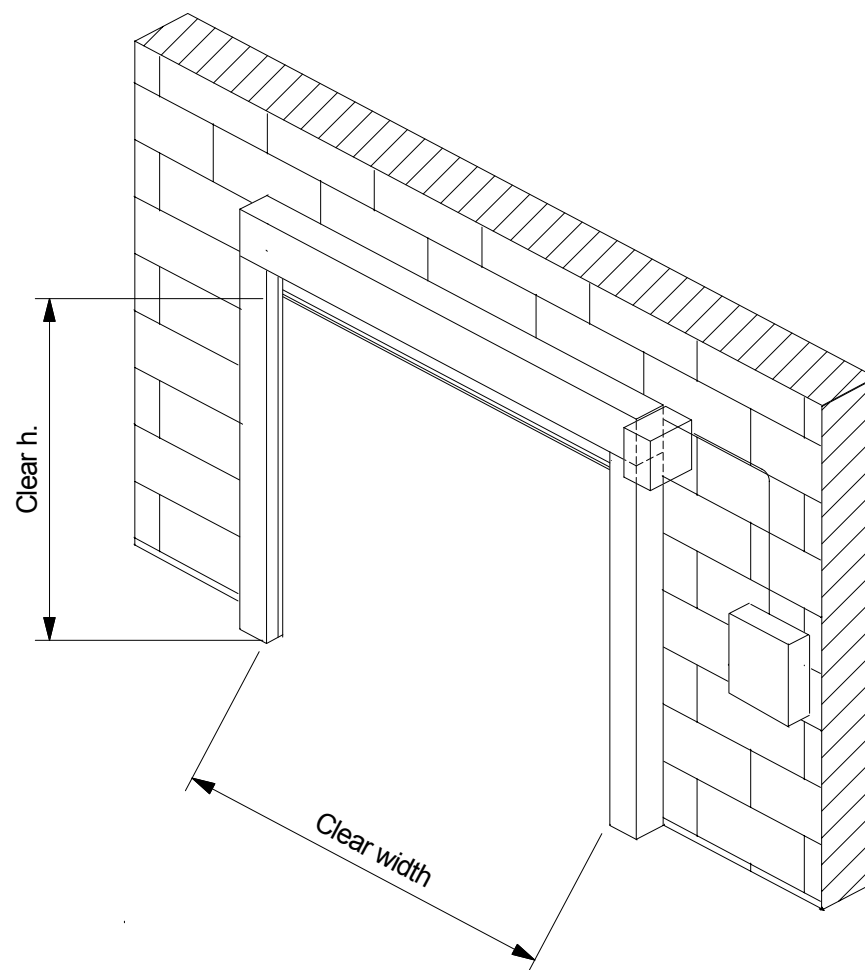
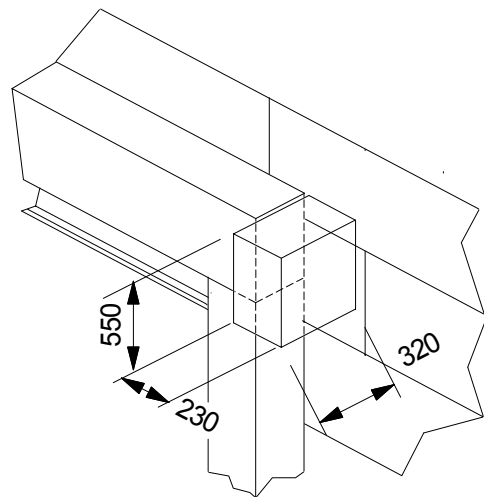
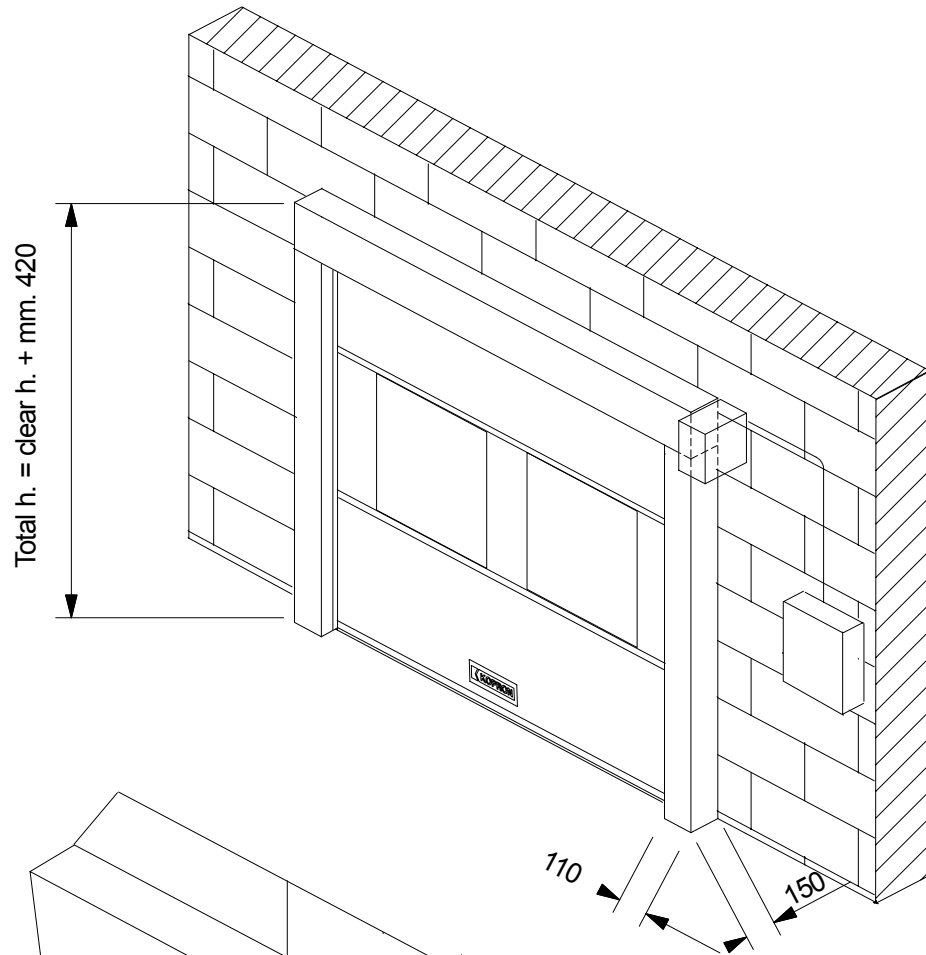
PVC Folding Door - Mod. KVI - Velokop

PVC FOLDING DOORS Mod. KVI - Velokop - Transparent sectors configuration

Clear width	N°. Sectors each row	Max. transparent sectors dimensions	Configuration
Less than 2249 mm.	1	300x1000	
From 2250 to 2450 mm.	2	300x600	
From 2450 to 2850 mm.		300x700	
From 2850 to 3050 mm.		300x900	
From 3050 to 4050 mm.		300x1000	
From 4050 to 4499 mm.		300x1500	
From 4500 to 5600 mm.	3	300x1000	
Bigger than 5600 mm.		300x1500	

KVA doors - Portes KVA





Installation out
of wall opening



PVC Rolling Door -
Mod. KVA - Velokop

