

KUZ single shutter pedestrian door

Technical data

Reversible leaf of steel-sheet galvanized, filler of honey-comb carton, total thickness 39mm.

Assembled corner reversible frame, made of prifiled steel-sheet galvanized, with anchors to be set into wall and preparation for fixing with expansion screws.

Bottom part of frame adjustable to the finished floor or removable.

Lock included complete with cylinder bore and keyhole for patent keys.

Strengthening plates inside door leaf for fastening door closer and emergency handle if required.

Black safety handle with steel core, supplied with plates, cylinder bore and keyholes for patent keys.

2 hinges.

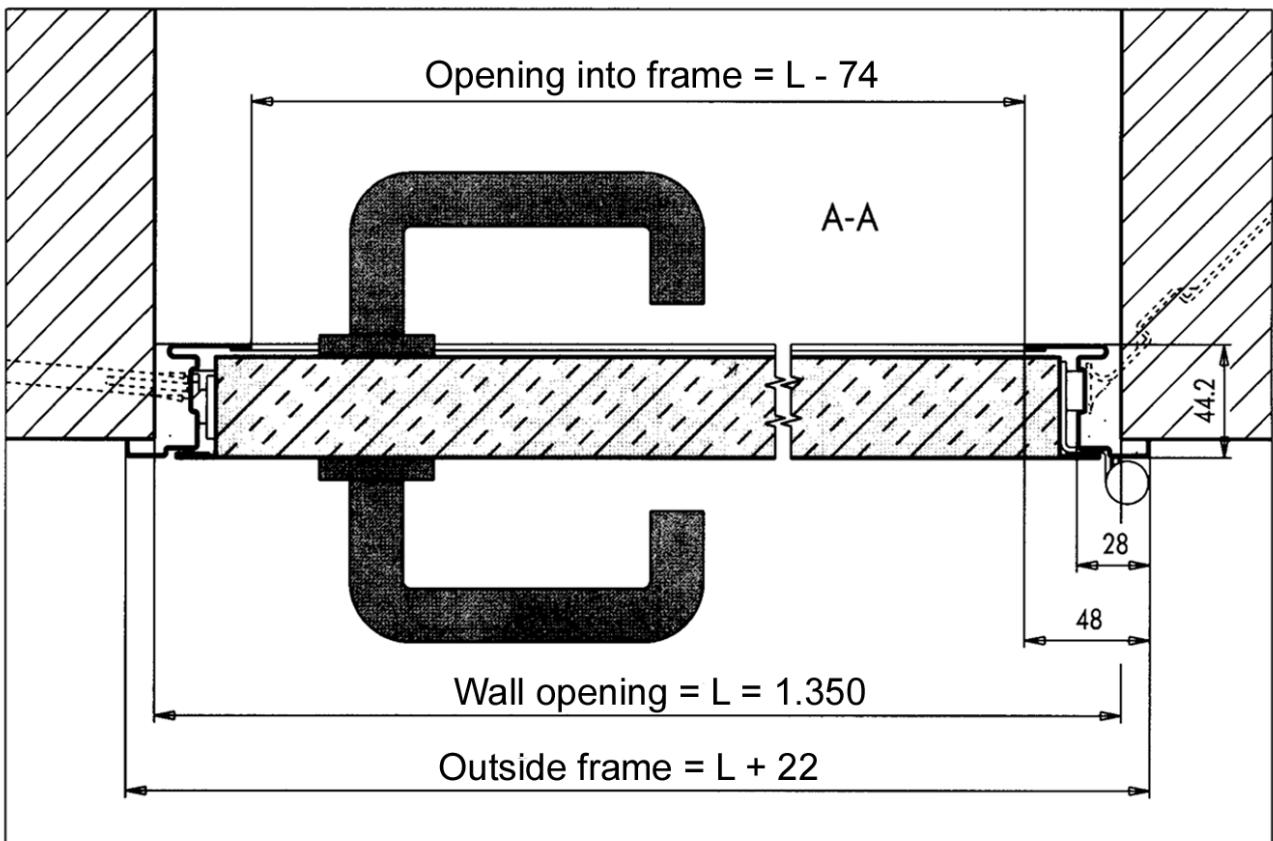
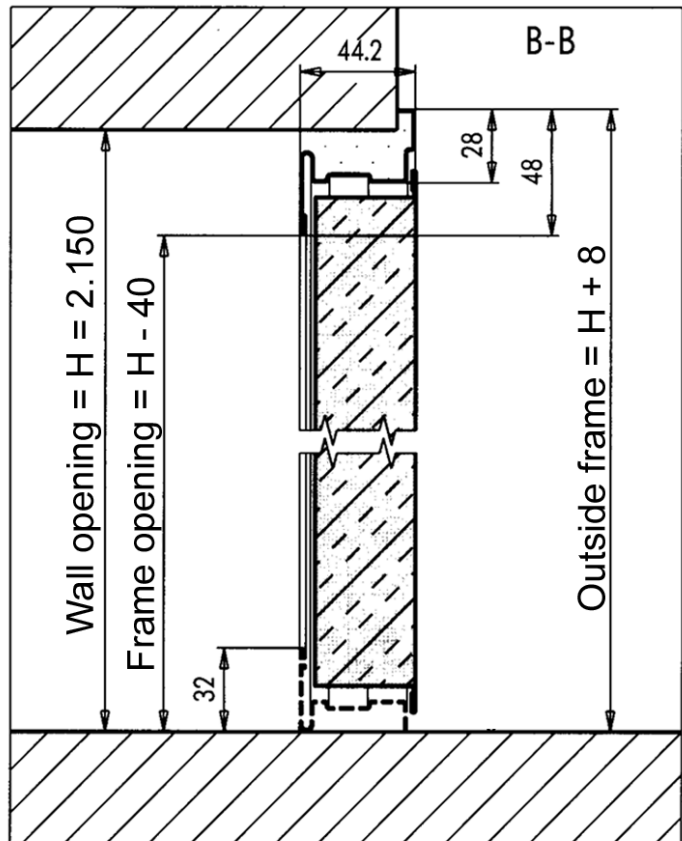
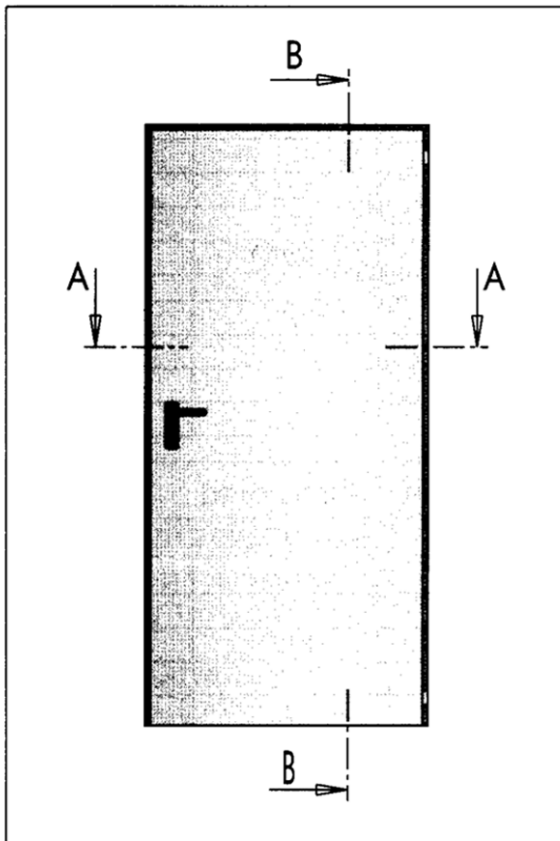
Painted with epoxy-polyester oven-baked powder paint with anti-scratch goffered finish - light pastel turquoise for door leaf (NCS4020-B50G), and a darker shade for the frame (NCS5020-B50G).

Dimension: 1350 x 2050/2150 mm.

N.B.

- Cylinder and weather stripping are supplied only upon request.
- FF = finished floor.

Option: anti-panic handle



KOPRON

Standard pedestrian door - Mod. KUZ -

KUR REI 60 – 120 single shutter pedestrian door

TECHNICAL DATA

Galvanized steel-sheet reversible door leaf with insulating-material core, total thickness 60 mm.

Assembled corner reversible frame, with or without bottom frame, made of galvanized steel-sheet profile, with brackets to be set into wall and preparation for fixing with expansion screws.

Lock complete with cylinder bore and keyhole for patent keys.

Safety bolt in hinge-side leaf edge.

Black safety handle with steel core, supplied with plates, cylinder bore and keyholes for patent keys.

2 hinges: one hinge with self-closing spring, one ball-bearing hinge with screws for the vertical adjustment.

Strengthening plates inside door leaf for fastening door closer and emergency handle if required.

Thermoexpanding gasket inserted in appropriate cavity in frame.

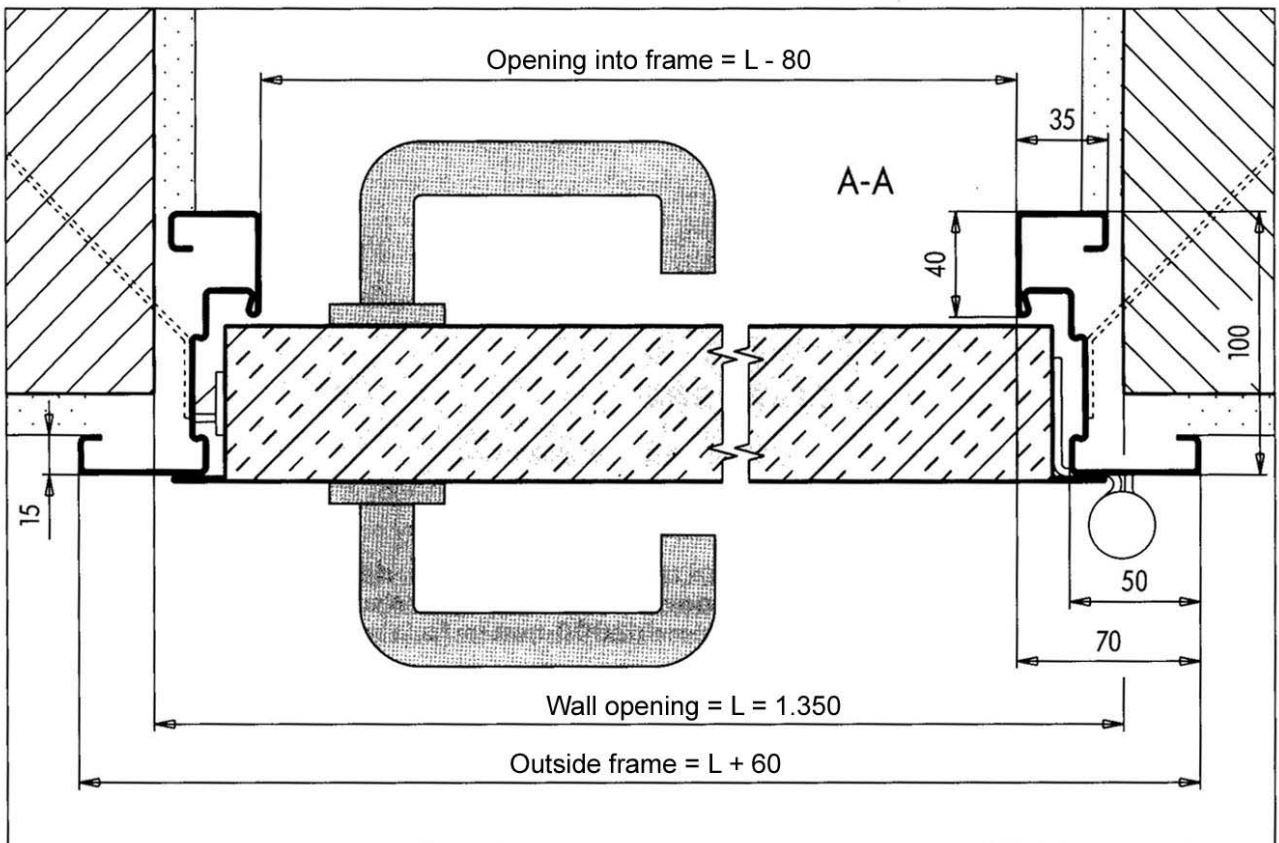
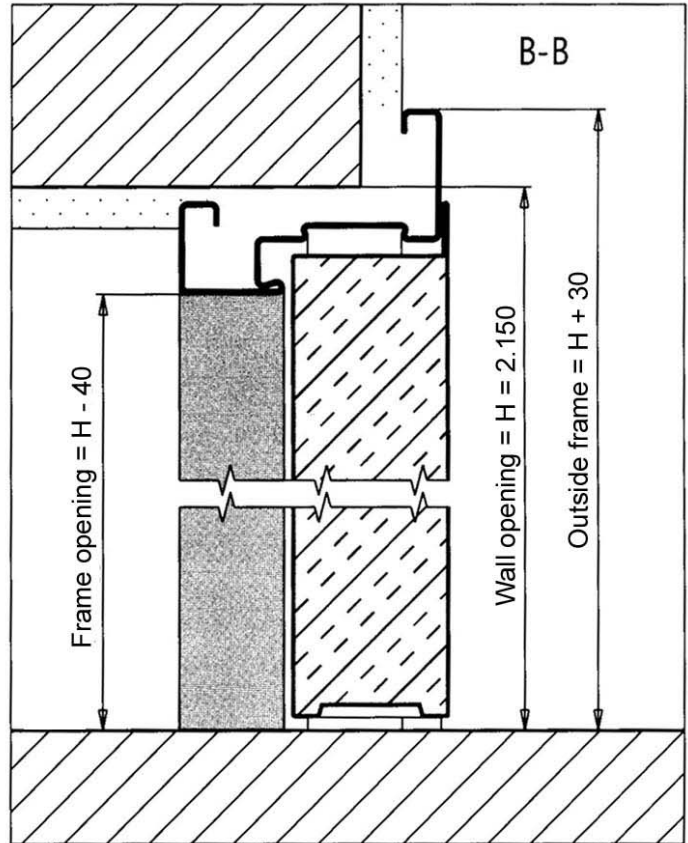
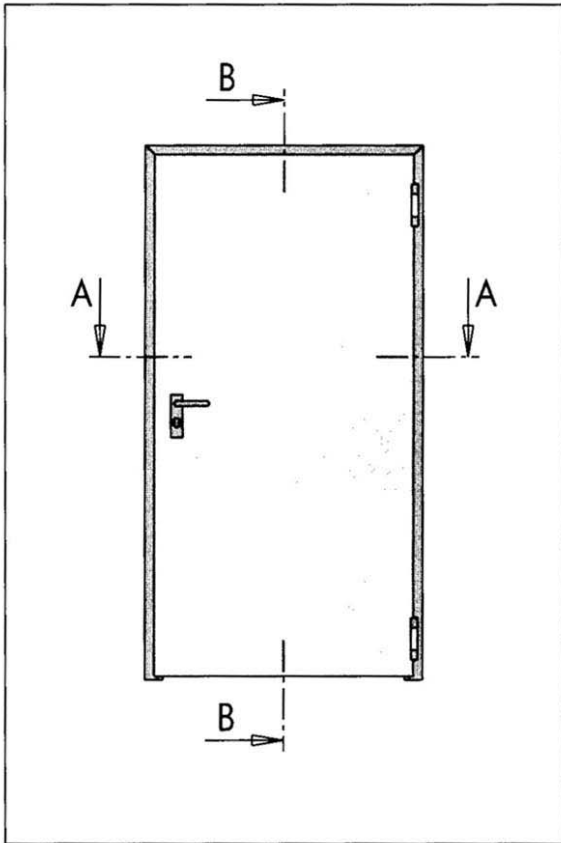
Identification plate on door edge.

Painted with epoxy-polyester oven-baked powder paint with anti-scratch goffered finish - light pastel turquoise for door leaf (NCS4020-B50G), and a darker shade for the frame (NCS5020-B50G).

Maximum dimensions 1350 x 2150 mm.

Weight approximately 43 kg/m² wall opening.

Option: anti-panic handle



KOPRON

REI 60/120 Pedestrian door - Mod. KUR -